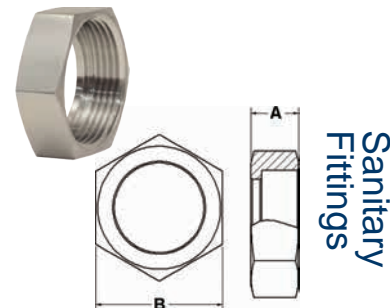


## European Fittings - RJT BS: 4825

## Hex Nuts - 13H

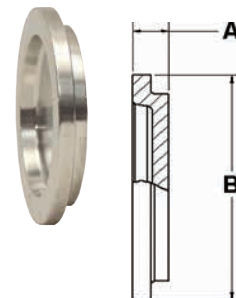
Nominal Size	A (mm)	B (mm)	304 Stainless Steel Part Number
1"	22.2	50.80	<b>13H-G100RJT</b>
1½"	22.2	65.02	<b>13H-G150RJT</b>
2"	22.2	79.25	<b>13H-G200RJT</b>
2½"	22.2	91.95	<b>13H-G250RJT</b>
3"	22.2	104.65	<b>13H-G300RJT</b>
4"	22.2	130.05	<b>13H-G400RJT</b>



Sanitary Fittings

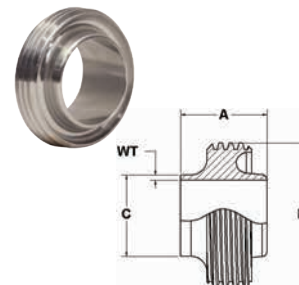
## Blank Caps - 13RBN

Nominal Size	A (mm)	B (mm)	304 Stainless Steel Part Number
1"	8.2	41.3	<b>13RBN-G100RJT</b>
1½"	8.2	54.0	<b>13RBN-G150RJT</b>
2"	8.2	66.7	<b>13RBN-G200RJT</b>
2½"	8.2	79.4	<b>13RBN-G250RJT</b>
3"	8.2	92.1	<b>13RBN-G300RJT</b>
4"	8.2	117.5	<b>13RBN-G400RJT</b>



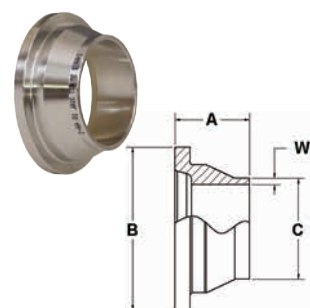
## Welding Males - 15A

Nominal Size	WT (mm)	A (mm)	B (mm)	C (mm)	316 Stainless Steel Part Number
1"	1.73	27.0	45.72 x 1/8	25.65	<b>15A-R100RJT</b>
1½"	1.73	27.0	58.42 x 1/8	38.35	<b>15A-R150RJT</b>
2"	1.73	27.0	72.72 x 1/6	51.05	<b>15A-R200RJT</b>
2½"	1.73	27.0	85.42 x 1/6	63.75	<b>15A-R250RJT</b>
3"	1.73	27.0	98.12 x 1/6	76.45	<b>15A-R300RJT</b>
4"	2.13	27.0	123.52 x 1/6	101.85	<b>15A-R400RJT</b>



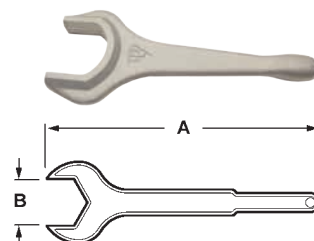
## Welding Liners - 14A

Nominal Size	WT (mm)	A (mm)	B (mm)	C (mm)	316 Stainless Steel Part Number
1"	1.73	19.5	41.3	25.65	<b>14A-R100RJT</b>
1½"	1.73	19.5	54.0	38.35	<b>14A-R150RJT</b>
2"	1.73	19.5	66.7	51.05	<b>14A-R200RJT</b>
2½"	1.73	19.5	79.4	63.75	<b>14A-R250RJT</b>
3"	1.73	19.5	92.1	76.45	<b>14A-R300RJT</b>
4"	2.13	19.5	117.5	101.85	<b>14A-R400RJT</b>



## Spanner Wrenches - SP

Size	A (mm)	B (mm)	Aluminum Part Number
1"	254.00	50.80	<b>RJT-100SP</b>
1½"	292.10	65.02	<b>RJT-150SP</b>
2"	304.80	79.25	<b>RJT-200SP</b>
2½"	342.80	91.95	<b>RJT-250SP</b>
3"	368.30	104.65	<b>RJT-300SP</b>
4"	444.50	130.05	<b>RJT-400SP</b>



Manufactured in accordance to BS 4825